

# 8MP WDR (Motorized) VF Eyeball Network IR Camera

IPC3638SR3-DPZ



## Key Features

### Optics

- Day/night functionality
- Optical glass window with higher light transmittance
- IR anti-reflection window to increase the infrared transmittance
- Smart IR, up to 30m (98ft) IR distance
- Up to 120dB Optical WDR (Wide Dynamic Range)
- 2D/3D DNR (Digital Noise Reduction)

### Compression

- Ultra 265, H.264, MJPEG
- Embedded smart algorithm
- Triple streams
- ROI (Region of Interest)
- 9:16 corridor mode

### Network

- ONVIF Conformance

## Structure

- Support PoE power supply
- Wide temperature range: -40°C ~ 60°C (-40°F ~ 140°F)
- Wide voltage range of ±25%
- IP67
- 3-Axis

## Specifications

| IPC3638SR3-DPZ          |   |            |                |               |                   |
|-------------------------|---|------------|----------------|---------------|-------------------|
| <b>Camera</b>           |   |            |                |               |                   |
| Sensor                  | 1/2", 8.0 megapixel, progressive scan, CMOS   |            |                |               |                   |
| Lens                    | 2.8 ~ 12mm, AF automatic focusing and motorized zoom lens   |            |                |               |                   |
| DORI Distance           | Lens (mm)   | Detect (m) | Observe (m)    | Recognize (m) | Identify (m)      |
|                         | 2.8   | 63         | 25.2           | 12.6          | 6.3               |
|                         | 12  | 270        | 108            | 54            | 27                |
| Angle of view (H)       | 114.8° ~ 47.3°  |            |                |               |                   |
| Angle of View (V)       | 75.3° ~ 20.4°   |            |                |               |                   |
| Angle of View (O)       | 141.2° ~ 55.8°  |            |                |               |                   |
| Adjustment angle        | Pan: 0° ~ 360°  |            | Tilt: 0° ~ 90° |               | Rotate: 0° ~ 360° |
| Shutter                 | Auto/Manual, 1 ~ 1/100000s  |            |                |               |                   |
| Minimum Illumination    | Colour: 0.003Lux (F1.5, AGC ON)<br>0Lux with IR   |            |                |               |                   |
| Day/Night               | IR-cut filter with auto switch (ICR)  |            |                |               |                   |
| Digital noise reduction | 2D/3D DNR   |            |                |               |                   |
| S/N                     | >52dB   |            |                |               |                   |
| IR Range                | Up to 30m (98ft) IR range   |            |                |               |                   |
| Defog                   | Digital Defog   |            |                |               |                   |
| WDR                     | 120dB   |            |                |               |                   |
| <b>Video</b>            |   |            |                |               |                   |
| Video Compression       | Ultra 265 , H.264,MJPEG   |            |                |               |                   |
| Frame Rate              | Main Stream: 8MP (3840*2160), Max 20fps; 5MP (2592*1944), Max 30fps; 5MP (2944*1656), Max 30fps;<br>4MP (2560*1440), Max 30fps; 2MP (1920*1080), Max 30fps;<br>Sub Stream: 2MP (1920*1080), Max 30fps;<br>Third Stream: D1 (720*576), Max 30fps |            |                |               |                   |
| 9:16 Corridor Mode      | Supported   |            |                |               |                   |
| HLC                     | Supported   |            |                |               |                   |
| BLC                     | Supported   |            |                |               |                   |
| OSD                     | Up to 8 OSDs  |            |                |               |                   |
| Privacy Mask            | Up to 8 areas   |            |                |               |                   |
| ROI                     | Up to 8 areas   |            |                |               |                   |
| Motion Detection        | Up to 4 areas   |            |                |               |                   |

**Smart**

|                            |   |
|----------------------------|---|
| Behavior Detection         | Intrusion, cross line, motion detection   |
| Intrusion                  | Enter and loiter in a pre-defined virtual region  |
| cross line                 | Cross a pre-defined virtual line  |
| motion detection           | Moving within a pre-defined virtual region  |
| Recognition                | Face detection, Audio detection   |
| Intelligent Identification | Defocus, Scene Change   |
| Statistical Analysis       | People counting   |
| General Function           | Watermark, IP Address Filtering, Tampering Alarm, Access Policy, ARP Protection, RTSP Authentication, User Authentication |

**Audio**

|                   |           |
|-------------------|-----------|
| Audio Compression | G.711     |
| Suppression       | Supported |
| Sampling Rate     | 8KHZ      |

**Storage**

|                 |                       |
|-----------------|-----------------------|
| Edge Storage    | Micro SD, up to 256GB |
| Network Storage | ANR                   |

**Network**

|                        |  |
|------------------------|--|
| Protocols              | IPv4, IGMP, ICMP, ARP, TCP, UDP, DHCP, PPPoE, RTP, RTSP, RTCP, DNS, DDNS, NTP, FTP, UPnP, HTTP, HTTPS, SMTP, 802.1x, SNMP, QoS |
| Compatible Integration | ONVIF (Profile S, Profile G, Profile T), API   |

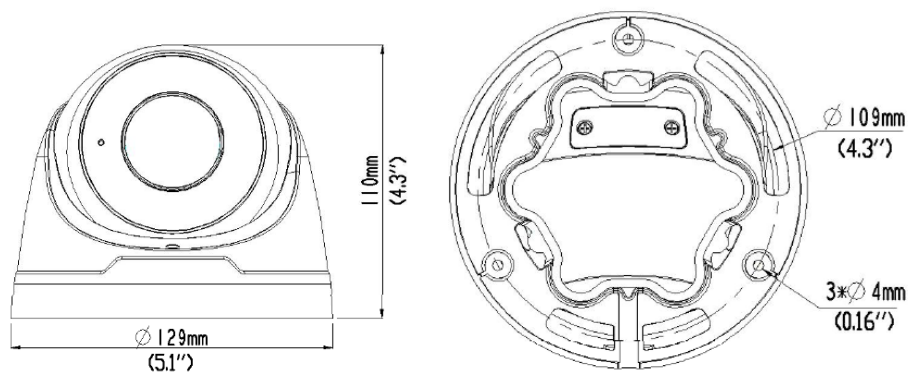
**Interface**

|              |                                  |
|--------------|----------------------------------|
| Built-in Mic | Supported                        |
| Network      | 1 RJ45 10M/100M Base-TX Ethernet |

**General**

|                     |  |
|---------------------|--|
| Power               | DC 12V±25%, PoE (IEEE 802.3af)                                   |
|                     | Power consumption: Max 8.16W                                     |
| Dimensions (Ø x H)  | Φ129 x 110mm (Ø5.08" x 4.3")                                     |
| Weight              | 0.82kg (1.8lb)   |
| Working Environment | -40°C ~ 60°C (-40°F ~ 140°F), Humidity: ≤95% RH (non-condensing) |
| Reset Button        | Supported  |
| Ingress Protection  | IP67   |

## Dimensions



**Zhejiang Uniview Technologies Co., Ltd.**

Building No.10, Wanlun Science Park, Jiangling Road 88, Binjiang District, Hangzhou, Zhejiang, China (310051)

Email: [overseasbusiness@uniview.com](mailto:overseasbusiness@uniview.com); [globalsupport@uniview.com](mailto:globalsupport@uniview.com)

<http://www.uniview.com>

©2019 Zhejiang Uniview Technologies Co., Ltd. All rights reserved.

\*Product specifications and availability are subject to change without notice.